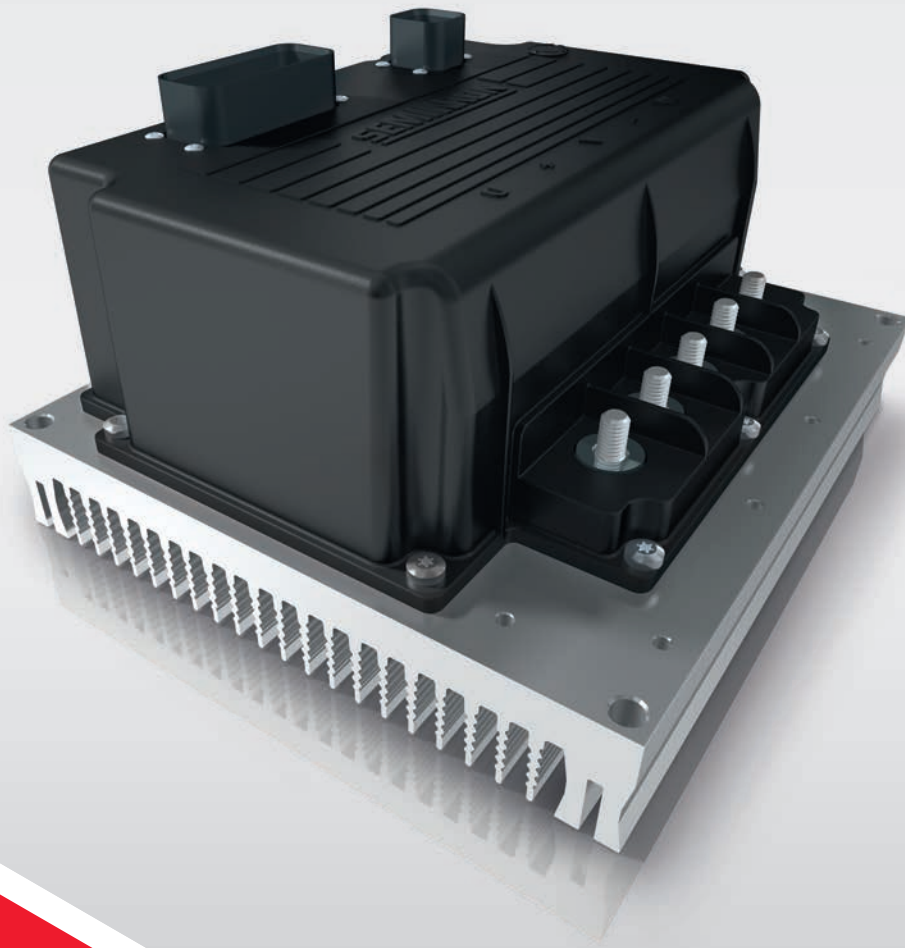


Most Compact Inverter System for Ultimate Design Freedom



SKAI[®] MOSFET

Up to 55kVA



Utility
Vehicles



Urban
Transport
Equipment



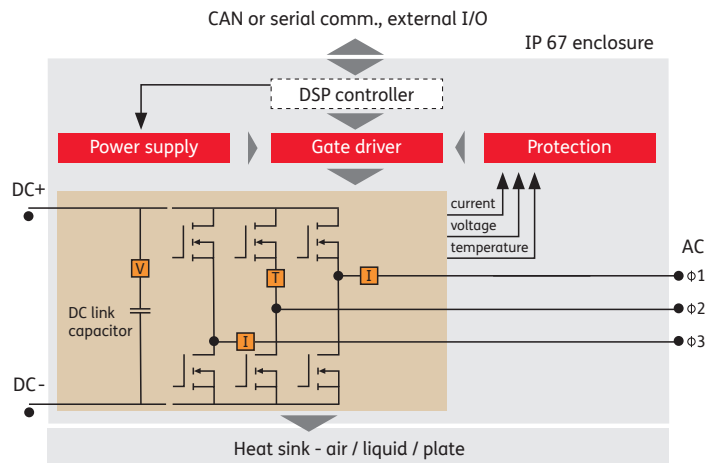
3-phase MOSFET inverter system up to 55kVA

- For material handling and battery powered vehicles
- Voltage, current and temperature sensors
- Gate driver with protection
- Low inductive power section
- DC link capacitors
- DC / DC converter to power control board
- Customer programmable digital signal processor
- Liquid, air and plate cooling

Single inverter



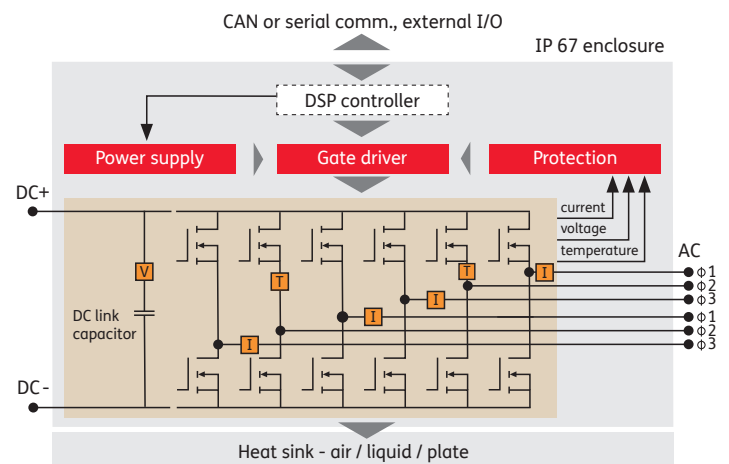
	Battery voltage	Cont. current
On request	120V	-
SKAI 70A2 MD 15 – L	80V	1 x 365A
SKAI 60A2 MD 10 – L	48V	1 x 365A
On request	24V	-



Dual inverter



	Battery voltage	Cont. current
On request	120V	-
SKAI 70A2 MD 15 – L	80V	2 x 250A
SKAI 60A2 MD 10 – L	48V	2 x 250A
On request	24V	-



Power semiconductor technology

- Pressure rather than solder contact power connections
- No fatigue of materials having different coefficients of thermal expansion
- Spring contacts for auxiliary connections replace solder joints for shock and vibration ruggedness



High-performance terminals
Pressure contacts

Spring contacts for gates
and auxiliaries

Low thermal resistance
DCB directly on heat sink

Key features

For compact designs

12kVA/l power density

$V_{battery}$: 24V up to 120V

600A peak current during acceleration

Single and dual inverter topologies

IP 67 enclosure

▶ We are close to our customers
www.semikron.com/contact

SEMIKRON INTERNATIONAL GmbH
P.O. Box 820251 / 90253 Nuremberg, Germany
Phone +49 911 6559 234 / Fax +49 911 6559 262
sales.skd@semikron.com / www.semikron.com

NOTE: All information is based on our present knowledge and is to be used for information purposes only. The specifications of our components may not be considered as an assurance of component characteristics.